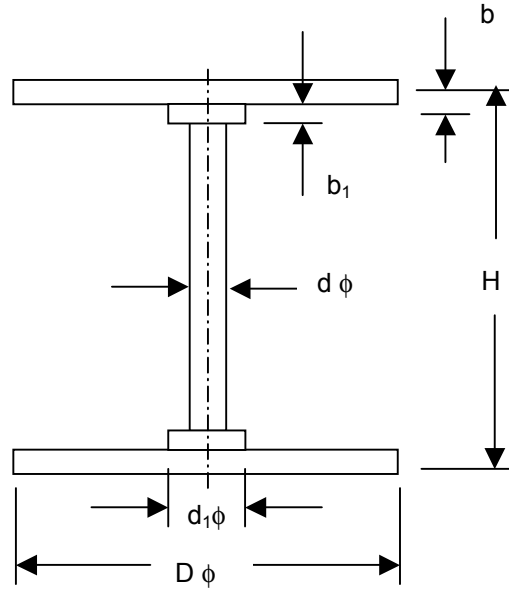


**TABLE 2 DIMENSIONS OF SINGLE COLUMN ROUND HEADED
CHAPLETS WITH COLLARS, TYPE 1, VARIANT 2**

All dimensions in millimetres.



<i>H</i>		<i>D</i>		<i>d</i>	<i>d</i> ₁	<i>b</i>	<i>b</i> ₁
Nominal	Tolerance	Nominal	Tolerance				
5	+ 0.20	8.0	- 0.20	1.5	2.0	0.5	0.75
6	- 0.10						
7	+ 0.30 - 0.10	12.0	-0.24	2.0	3.0	0.75	0.8
8							
9							
10							
11	+0.05 -0.14	14.0	-0.24	2.5	3.5	0.75	0.8
12							
13							
14							
15	+0.60 -0.14	16.0	-0.24	3.0	4.5	1.0	1.3
16							
18							
20							
22	18.0	-0.24	3.5	6	1.0	1.3	
24							
25							
30		25.0					