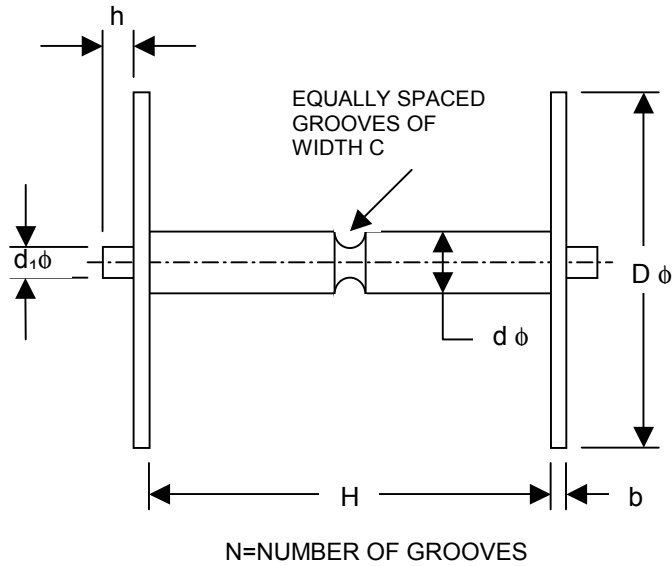


**TABLE 3 DIMENSIONS OF SINGLE COLUMN ROUND HEADED CHAPLETS FOR SUPPORTING HEAVY CORES, TYPE 1, VARIANT 3**

All dimensions in millimetres.



<i>H</i>	<i>D</i>	<i>d</i>	<i>b</i>	<i>d<sub>1</sub></i>	<i>c</i>	<i>h</i>	<i>N</i>
16	20.0	6.0	1.6	3	2	3	1
19							
22							
25							
28	25.0	8.0					2
31.5							
35							
38							
41							
44.5	30.0						3
47.5							
51							
54							
57							
60							
63.5	35.0						3
66.5							
69.5							
75							
	40.0						3